



Main Features

- Front Bezel IP-65 Stand Compliant
- Slim and compact enclosure design
- stand accommodate Power Brick
- Zero Bezel Touch(P Cap/Resistive Option)
- Modular MSR/FingerPrint (Option)
- Optional wall-mount kit for compact space accommodation

Product Overview

The NPD 1050 is a reliable and flexibility touch monitor that can support an integrated magnetic stripe reader (MSR) and also supports an integrated 2 x 20 rear customer display. The display has touchscreen with five-wire resistive and also with projected capacitive (PCAP) for a multi-touch experience and zero-bezel. The front bezel with frame and borderless (True Flat Surface) types design combined with its Solid IP65 Water and Dust proofing.

The NPD 1050 offers a stable base touch screen and a hidden cable management system, all in an elegant and simple-to-use design. The display can function as a desktop or wall-mounted unit and includes a VESA mounting option. The 15" touch monitor provides an affordable product in a convenient, space-saving design that both first-time and experienced users can deploy more easily, reliably, and more cost-effectively. NPD-1050 is the best solution for NEXPOS box PC fanless computer.

Specifications

Panel

- 15" 4:3 XGA (1024 x 768) TFT LCD panel
- 15" 5-wire resistive touch screen
- 15" projected capacitive true flat touch screen(optional)
- Front bezel complies with IP-65 protection standard
- Option kits for MSR/Fingerprint/VFD
- Optional wall-mount kit for compact space accommodation

Rear I/O

- Touch interface port: 1 x USB2.0 Type B connector for Upstreaming; 1 x USB2.0 Type A for Downstreaming
- Video port: 1 x DB15 VGA/1 x DVI-H connector/1 x DP (Display Port)
- OSD: 1 x AUTO button for auto adjust setting; optional 4 buttons (MENU, SELECT, ▲/+, ▼/-), on optional OSD switch board
- COM: Optional: 2 x DB-9F for RS-232 Upstream
- DC-IN Jack : 1 x +12VDC Input

System Control/Indicator

- Power Switch: 1 x Power ON/OFF switch
- Power LED: 1 x Power ON LED (Green)

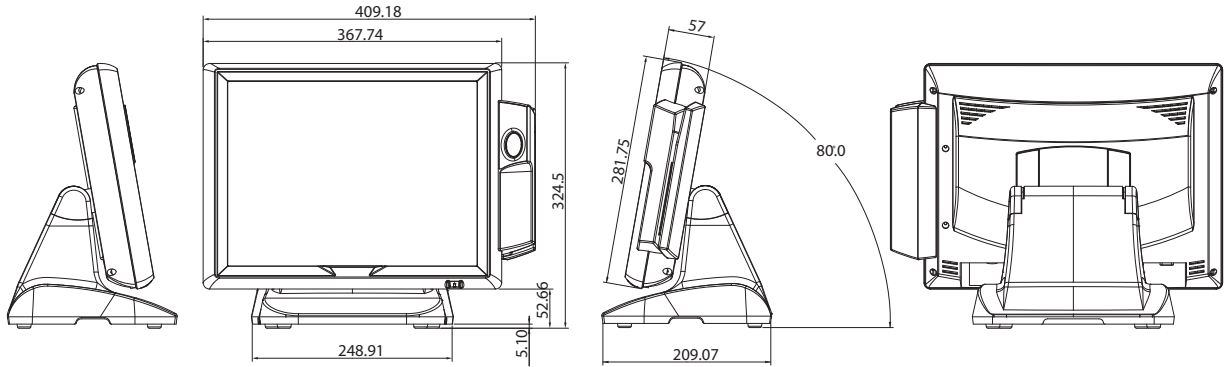
Mechanical & Environment

- Color: black
- Mounting: desktop type, optional VESA 100 x 100mm wall-mount when detaching stand
- IP protection: front bezel complies with IP-65 protection standard
- Power input: +12VDC
- Power adapter: Default: Power source from NPB 3550 PoweredUSB 12V; Optional: External AC DC 12V/5.0A 60W Power Brick
- Operating temperature: 0°C to 40°C
- Storage temperature: -20°C to 60°C
- Operating humidity: 20%~80% relative humidity, non-condensing
- Dimension: 368mm (W) x 331mm (H) x 210mm (D) (no MSR), 410mm (W) x 331mm (H) x 210mm (D) (with MSR)
- Weight: 6.4kg
- Tilt angle: 0° ~ 80°

Certifications

- CE approval
- FCC Class A

Dimension Drawing



Ordering Information

- ◆ **NPD 1050-113 SYSTEM (P/N: A0Y20105001X0)**
 - NexPOS 15" touch display
LCD: XGA 1024 x 768 250nits
 - Touch: 15" 5-wire true flat resistive touch
 - Power: DC-12V/60W power brick
 - I/O: VGA, DVI-D, DP, USB, COM (for MSR)